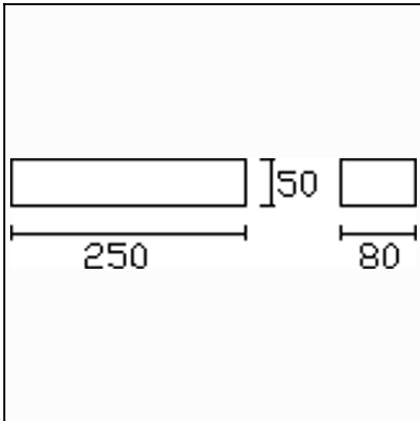




The photograph may not match the reference exactly. Please read the product description to identify the finish.



TECHNICAL CHARACTERISTICS

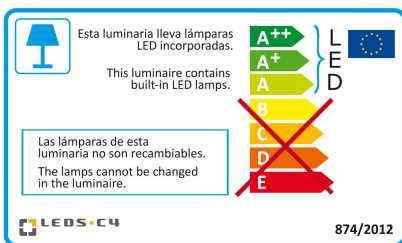
Type:	Wall fixture
IP Protection degrees:	IP20
Light source 1:	12 x LED LED 3.5W Warm White - 3000K 356 lm ^(N) CRI 80
Voltage / Frequency:	100-240V/50-60Hz
Warranty (Years):	2
Option to extend the guarantee:	Yes, 5 years
Units per box:	6
Net Weight (Kg):	0.68
EAN:	8435381410544



MATERIALS / FINISHES

Structure material:	Steel	Diffuser material:	Polycarbonate
Structure finish:	Chrome	Diffuser finish:	Matt opal

Download photometric file .ldt / .ies



Click on image to download energy label

GEAR

Multi-voltage electronic gear included (110-240 V / 50-60 Hz)

Lm^(N): Nominal flow of light in actual working conditions. Its actual flow will depend on the environmental conditions and the efficiency of the optics and/or diffuser.

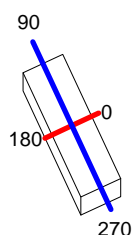
Leds-c4 reserves the right to make the necessary technical changes they deem adequate, in order to improve the features of the product.
Please consult the sales team to clarify any doubt.

(+34) 973 468 100
leds-c4@leds-c4.com
www.leds-c4.com

Luminaire		Measur.		Lamp		
Code	05-2703	Code	05-2703	Code	LED	
Name	LED CEILING LAMP	Name	LED CEILING LAMP	Number	1	
Line	LIA LED	Date	22-05-2014	Position		
Efficiency	58.02%	Coordinate system	CG	Total Flux	255.00 lm	
Maximum value	73.66 cd	Position	C=180.00 G=139.00	Asymmetrical		
Rectangular Luminaire	Length	250 mm	Width	80 mm	Height	50 mm
Rectangular Luminous Area	Length	250 mm	Width	80 mm	Height	50 mm
Horizontal Luminous Area	0.020000 m2	Emitting area on Plane 180°		0.012500 m2		
Emitting area on Plane 0°	0.012500 m2	Emitting area on Plane 270°		0.004000 m2		
Emitting area on Plane 90°	0.004000 m2	Glare area at 76°		0.016967 m2		
Symmetry Type	Asymmetrical	Maximum Gamma Angle		180		
Measurement Distance	0.00	Measurement Flux		255.00 lm		
Operator		Source voltage				
Temperature	25.00 °C	Source current				
Humidity	60.00 %	Photocell				
Notes						

Luminaire Lamps						
Line	Code	Name	Flux [lm]	Pow. [W]	Q.ty	
IESNA-1995	LED	05-2703 - 4.00 W	255.00	4.00	1	
C.I.E.	14 44 76 49 58	D DIN 5040				C12
F UTE	--	B NBN				BZ 10 / 1.5 / BZ 9

250mm x 80mm



C Halfplanes

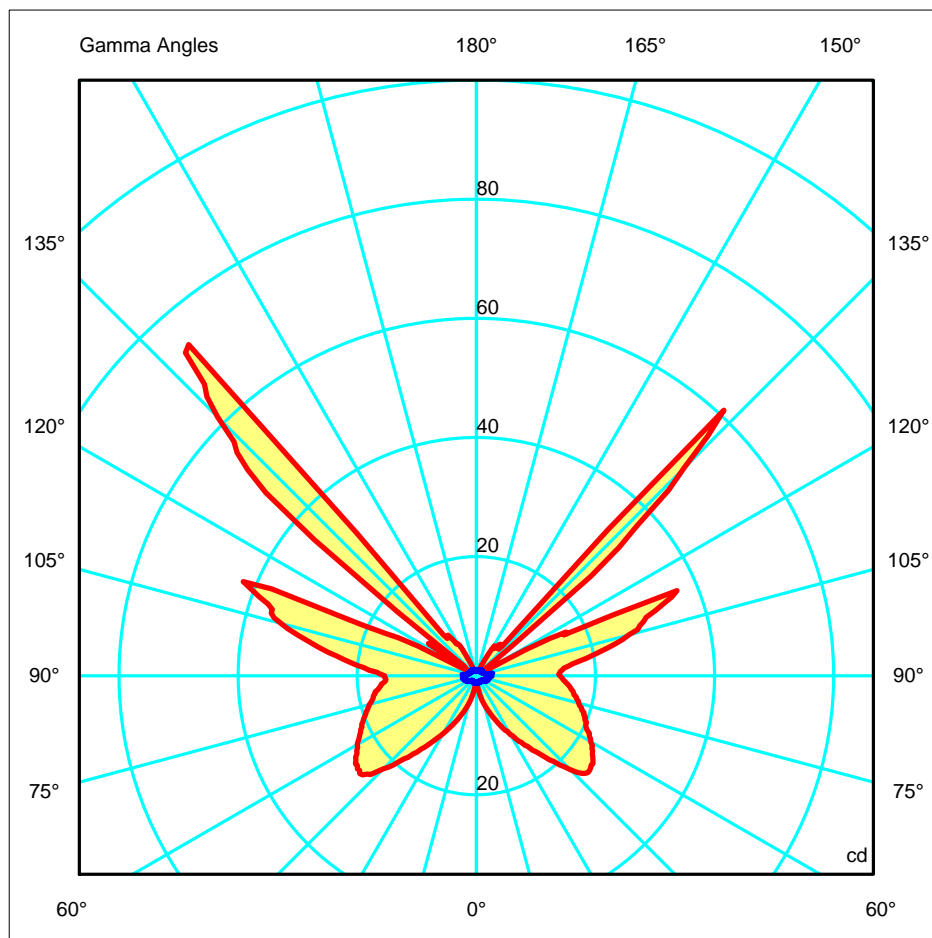
180.0 ——— 0.0

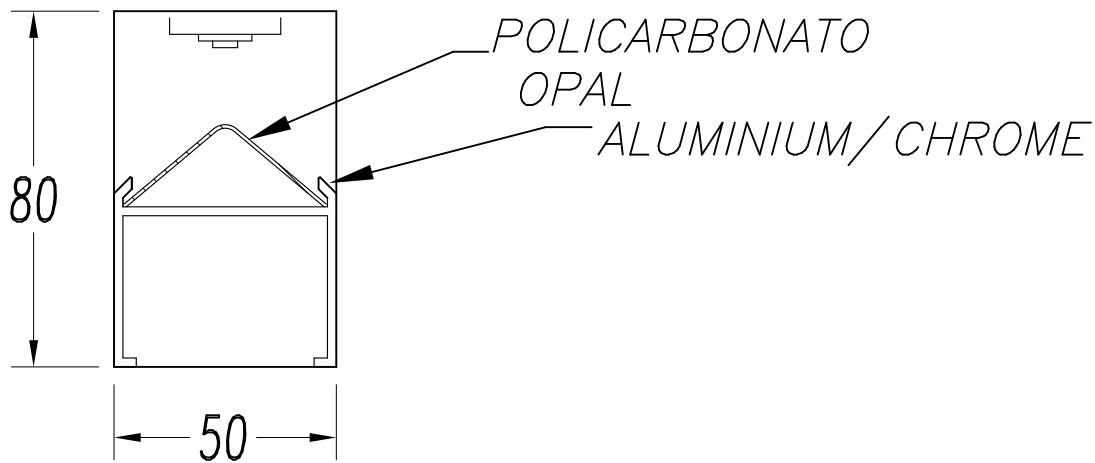
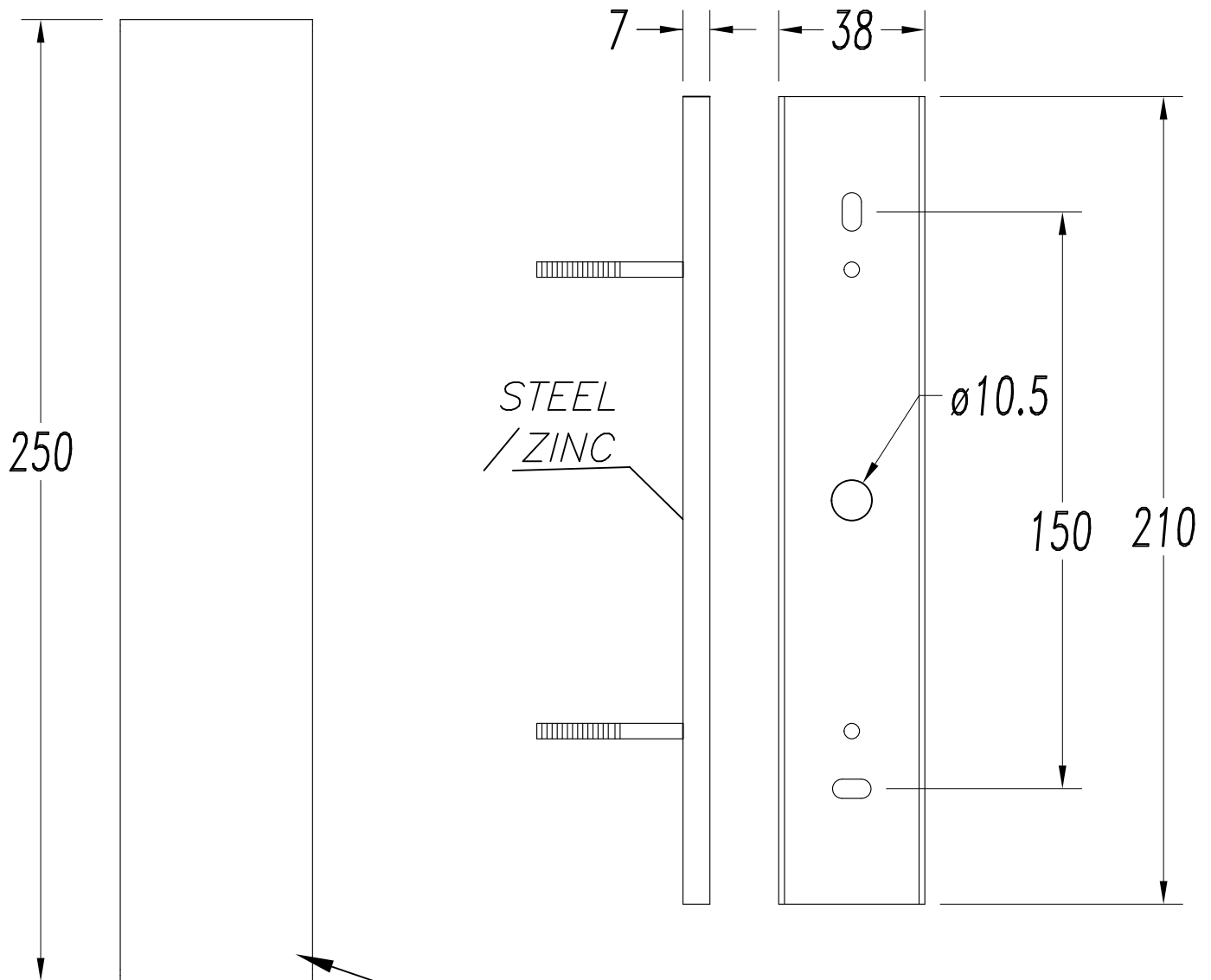
270.0 ——— 90.0

ULOR 29.34 %

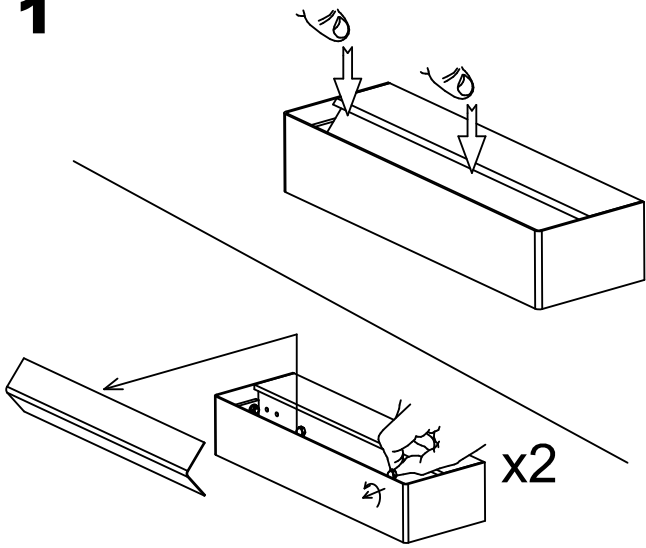
DLOR 28.68 %

RN 50.56 %

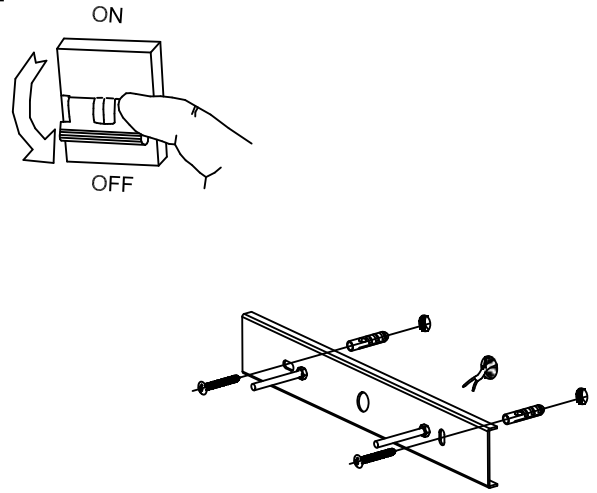




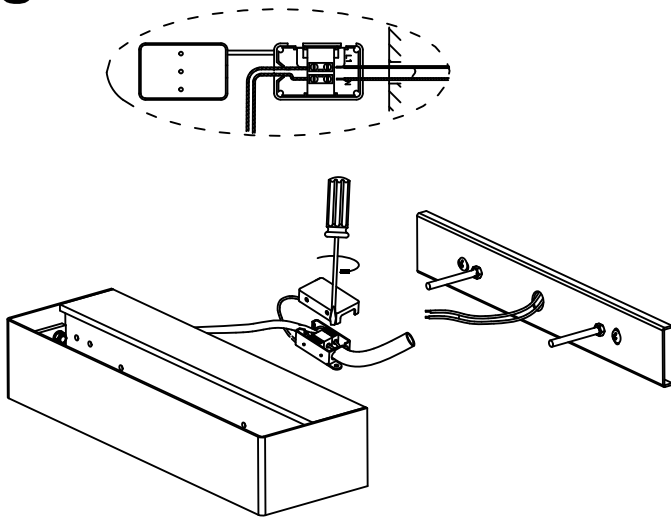
1



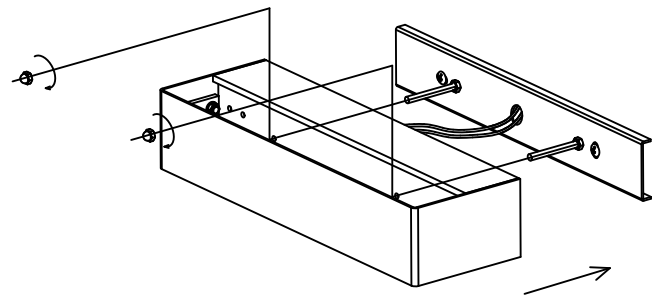
2



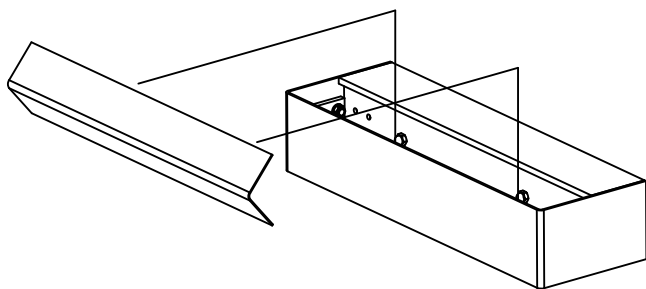
3



4



5



6

